

## COMMERCIAL DOWNLIGHT

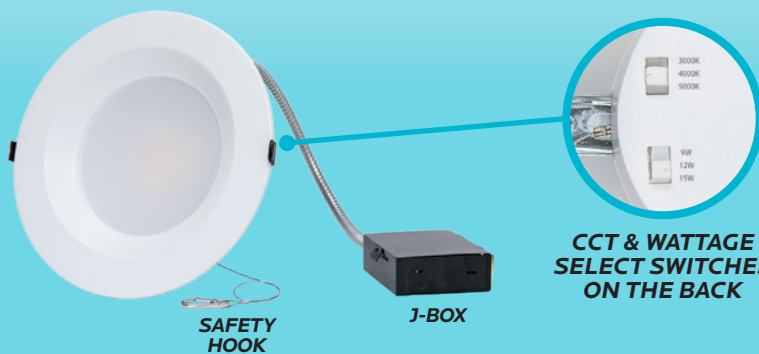
**CCT SELECT**  
**WATTAGE SELECT**  
**6", 8" & 10"**



6"

8"

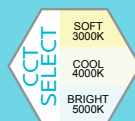
10"



**CCT & WATTAGE  
SELECT SWITCHES  
ON THE BACK**

**SAFETY  
HOOK**

**J-BOX**



## SPECIFICATIONS

### ELECTRICAL

MODEL	DESCRIPTION	POWER	LUMEN	EFFICACY	INPUT VOLTS	DIMMABLE	FREQUENCY	LIFETIME	POWER FACTOR
LR23950	LED/CDL6/3WO/3CCT/B/JB	9W	750	85	120-277V	0-10V	50/60Hz	50,000	>0.9
		12W	1125						
		15W	1500						
LR23958	LED/CDL8/3WO/3CCT/B/JB	12W	1000	95	120-277V	0-10V	50/60Hz	50,000	>0.9
		16W	1500						
		20W	2000						
		22W	2300						
LR23960	LED/CDL10/3WO/3CCT/B/JB	29W	3000	105	120-277V	0-10V	50/60Hz	50,000	>0.9
		37.5W	3700						

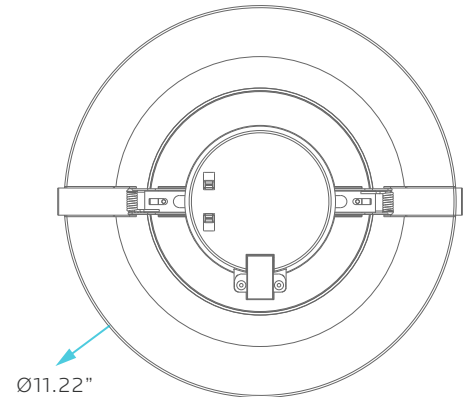
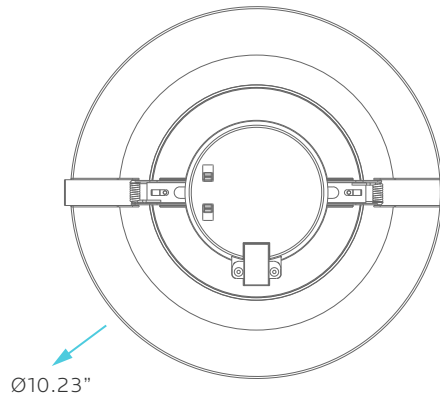
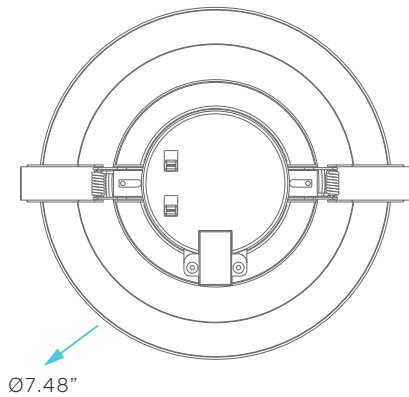
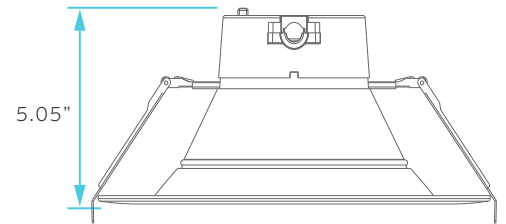
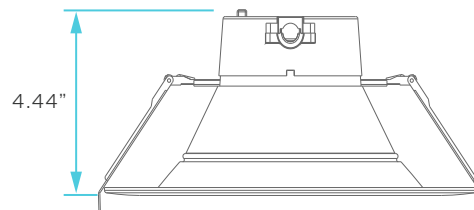
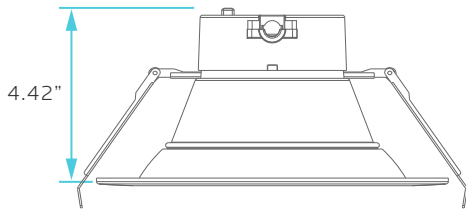
### PHOTOMETRIC

MODEL	COLOR (CCT)	TEMP	FLOOD	CRI
LR23950	3000K/4000K/5000K	SOFT/COOL/BRIGHT	120°	80
LR23958	3000K/4000K/5000K	SOFT/COOL/BRIGHT	120°	80
LR23960	3000K/4000K/5000K	SOFT/COOL/BRIGHT	120°	80

### GENERAL

IC RATED	WET LOCATION	UL LISTED	ENERGY STAR
YES	YES	YES	YES
YES	YES	YES	YES
YES	YES	YES	YES

## DIMENSIONS



6"

8"

10"

