

## DOWNLIGHT RETROFIT ROUND

**AMBIENT INDIRECT**

**4", 6"**



**6"**



**4"**



**E26  
ADAPTER**



## SPECIFICATIONS

### ELECTRICAL

	MODEL	DESCRIPTION	POWER	INPUT VOLTS	DIMMABLE	EFFICACY (LPW)	FREQUENCY	LIFETIME	WATT REPLACEMENT
4"	LR24830	LED/IDL4/2700K/FL/DIM	10	120V	YES	67	60Hz	50,000	50W
	LR24831	LED/IDL4/3000K/FL/DIM	10	120V	YES	67	60Hz	50,000	50W
	LR24832	LED/IDL4/4000K/FL/DIM	10	120V	YES	70	60Hz	50,000	50W
	LR24833	LED/IDL4/5000K/FL/DIM	10	120V	YES	73	60Hz	50,000	50W
6"	LR24835	LED/IDL6/2700K/FL/DIM	15	120V	YES	69	60Hz	50,000	50W
	LR24836	LED/IDL6/3000K/FL/DIM	15	120V	YES	69	60Hz	50,000	50W
	LR24837	LED/IDL6/4000K/FL/DIM	15	120V	YES	70	60Hz	50,000	50W
	LR24838	LED/IDL6/5000K/FL/DIM	15	120V	YES	70	60Hz	50,000	50W

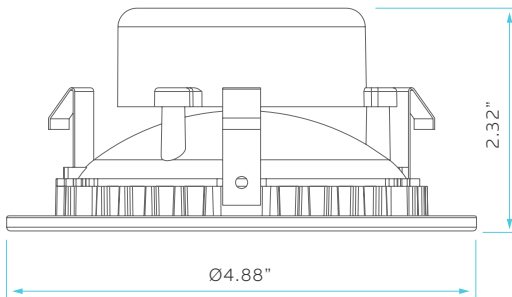
### PHOTOMETRIC

MODEL	COLOR (CCT)	TEMP	LUMEN	FLOOD	CRI
LR24830	2700K	WARM WHITE	650	150°	90
LR24831	3000K	SOFT WHITE	660	150°	90
LR24832	4000K	COOL WHITE	670	150°	90
LR24833	5000K	BRIGHT WHITE	670	150°	90
LR24835	2700K	WARM WHITE	1030	150°	90
LR24836	3000K	SOFT WHITE	1040	150°	90
LR24837	4000K	COOL WHITE	1050	150°	90
LR24838	5000K	BRIGHT WHITE	1060	150°	90

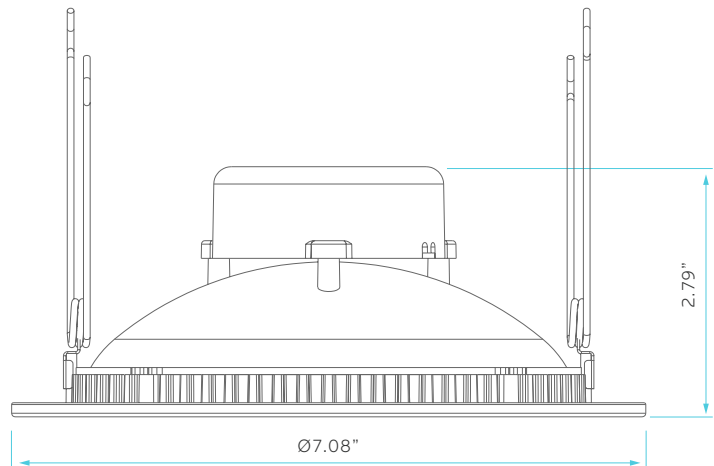
### GENERAL

CASE	COST/YR	BASE TYPE	FINISH
12	\$ 1.20	E26 ADAPTER	WHITE
12	\$ 1.20	E26 ADAPTER	WHITE
12	\$ 1.20	E26 ADAPTER	WHITE
12	\$ 1.20	E26 ADAPTER	WHITE
12	\$ 1.81	E26 ADAPTER	WHITE
12	\$ 1.81	E26 ADAPTER	WHITE
12	\$ 1.81	E26 ADAPTER	WHITE
12	\$ 1.81	E26 ADAPTER	WHITE

## DIAGRAM



4" AMBIENT INDIRECT



6" AMBIENT INDIRECT